

GLENBROOK SOUTH HIGH SCHOOL CAD 261-AUTOCAD 3D MODELING WIREFRAME CONSTRUCTION PROBLEMS



**TITAN
ENGINEERING**

**GLENBROOK SOUTH HIGH SCHOOL
CAD 261-AUTOCAD 3D MODELING**

DESIGNED BY: First Last

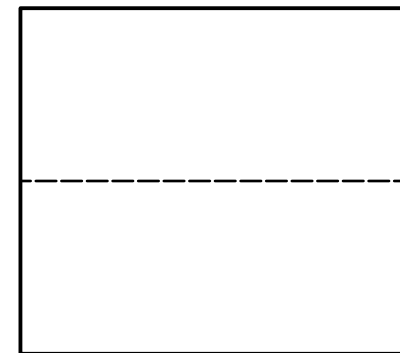
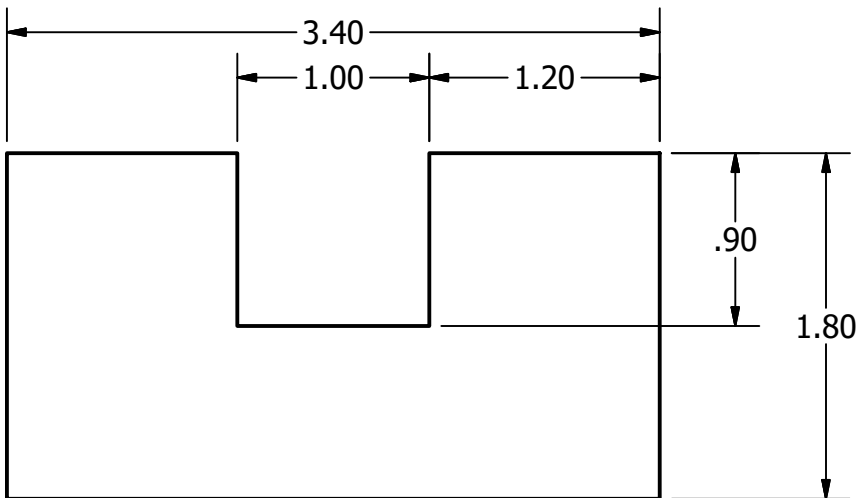
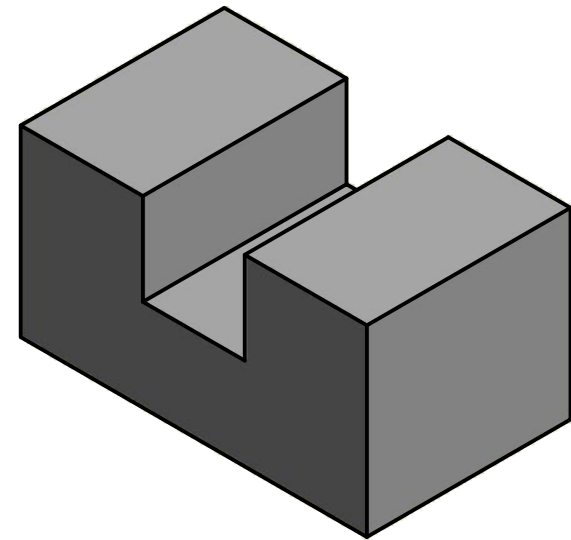
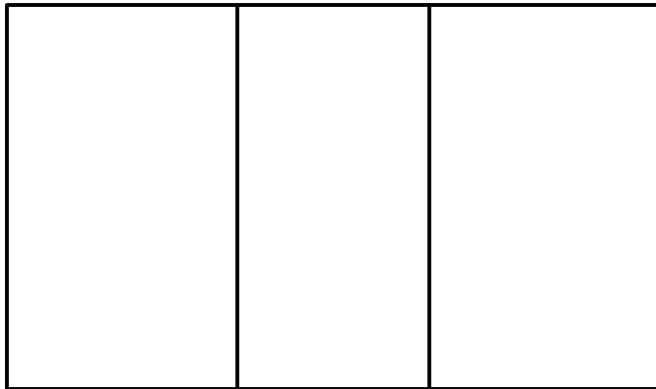
PROJECT TITLE: Wireframe Construction Problems

1/10/2017

SHEET # 1

FILE NAME: FL_DP_02-10.ipt

cduzan



TITAN
ENGINEERING

GLENBROOK SOUTH HIGH SCHOOL
CAD 261-AUTOCAD 3D MODELING

DESIGNED BY: First Last

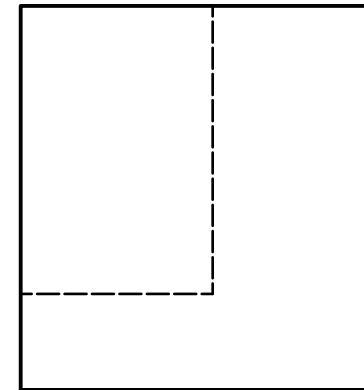
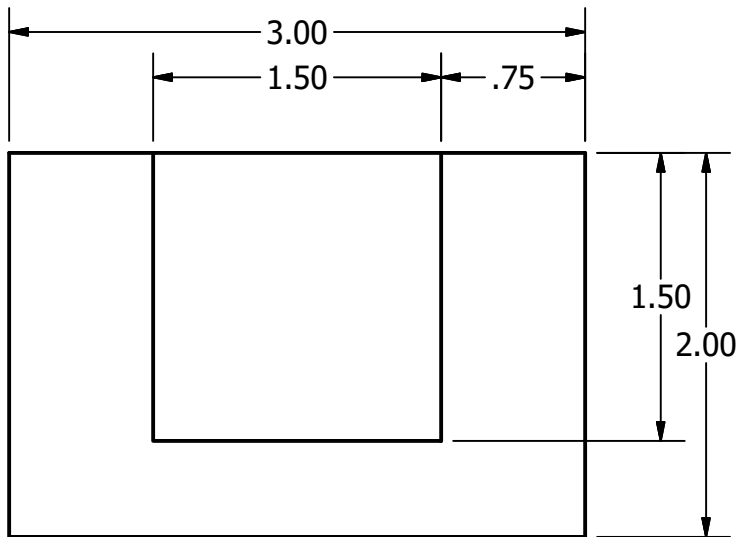
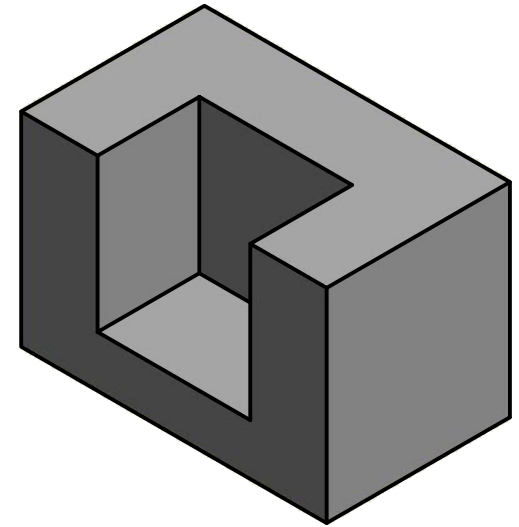
PROJECT TITLE: Wireframe Construction Problems

1/10/2017

SHEET # 2

FILE NAME: FL_DP_02-01.ipt

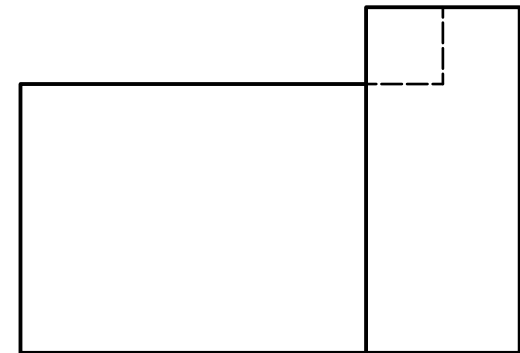
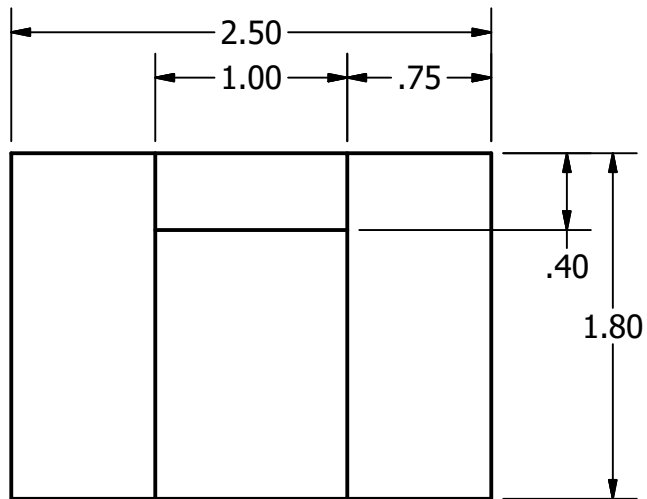
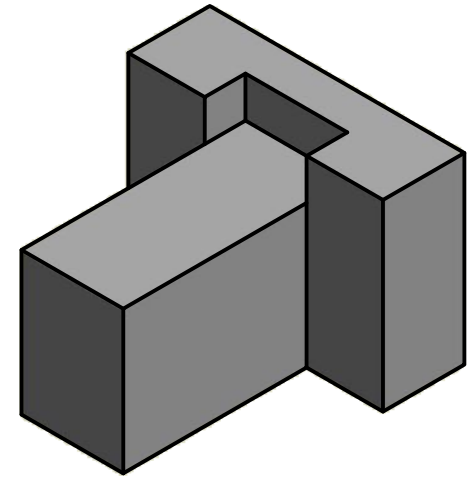
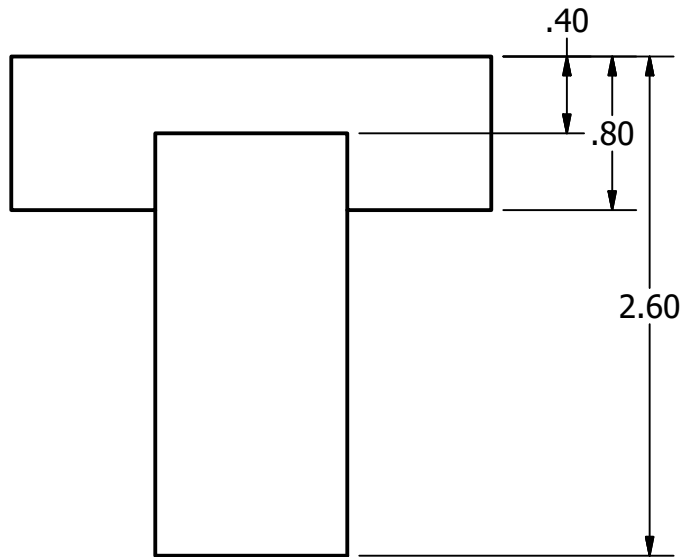
cduzan



TITAN
ENGINEERING

GLENBROOK SOUTH HIGH SCHOOL
CAD 261-AUTOCAD 3D MODELING

DESIGNED BY: First Last		PROJECT TITLE: Wireframe Construction Problems	
1/10/2017	SHEET # 3	FILE NAME: FL_DP_02-02.ipt	cduzan



TITAN
ENGINEERING

GLENBROOK SOUTH HIGH SCHOOL
CAD 261-AUTOCAD 3D MODELING

DESIGNED BY: First Last

PROJECT TITLE: Wireframe Construction Problems

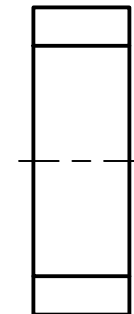
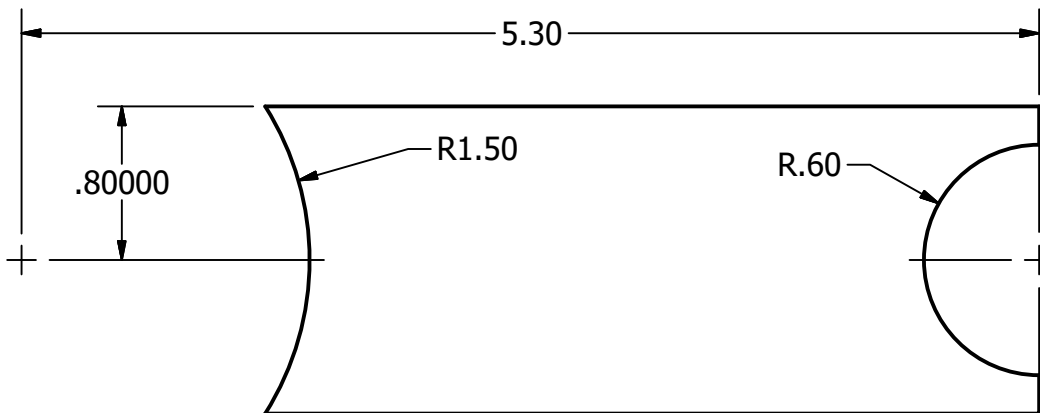
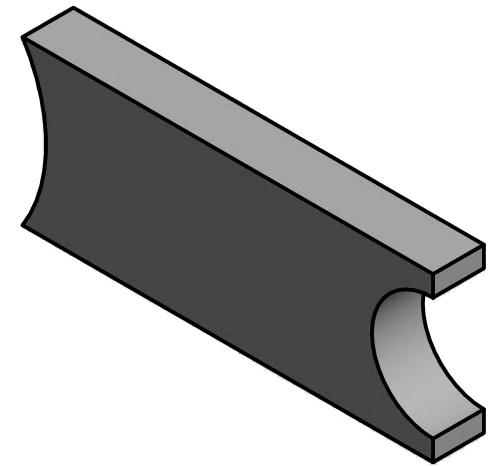
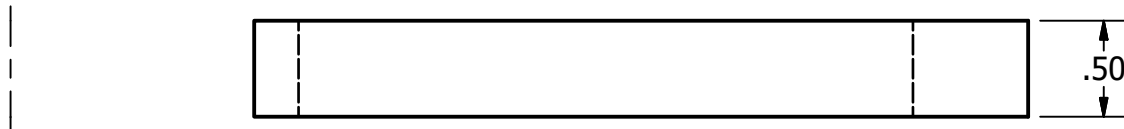
1/10/2017

SHEET #

4

FILE NAME: FL_DP_02-03.ipt

cduzan



TITAN
ENGINEERING

GLENBROOK SOUTH HIGH SCHOOL
CAD 261-AUTOCAD 3D MODELING

DESIGNED BY: First Last

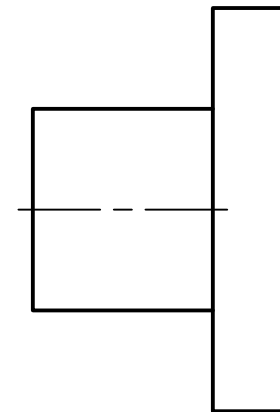
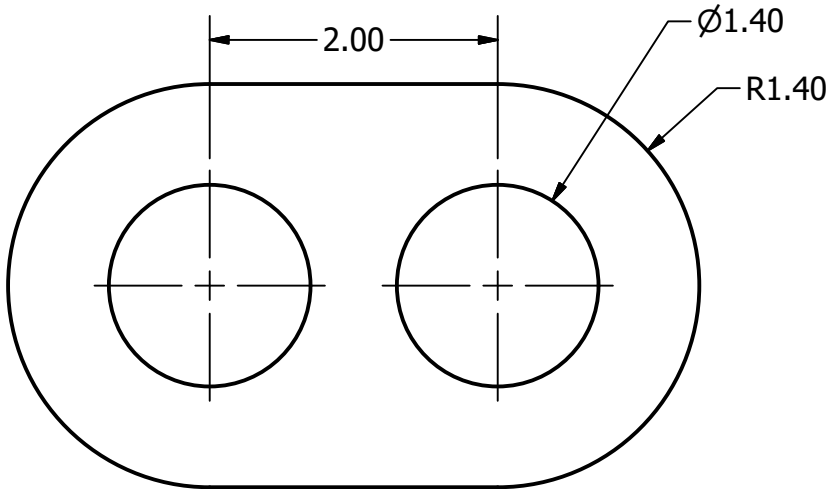
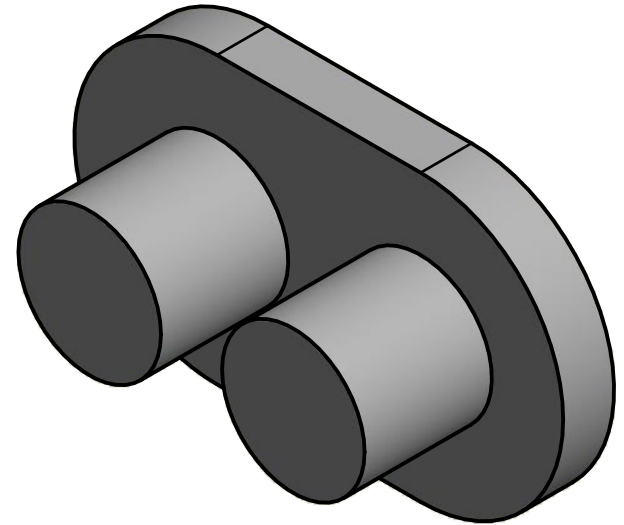
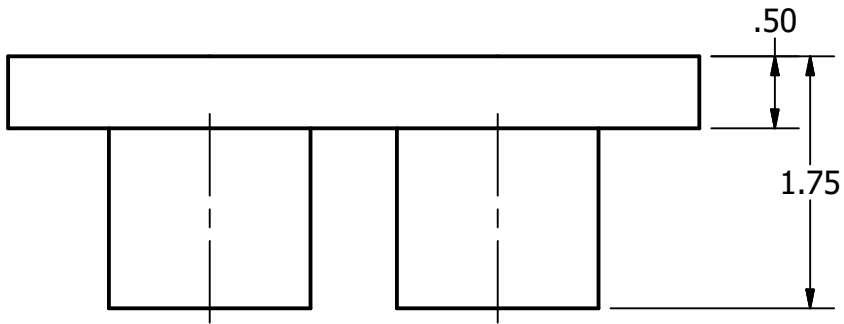
PROJECT TITLE: Wireframe Construction Problems

1/10/2017

SHEET # 5

FILE NAME: FL_DP_02-04.ipt

cduzan



TITAN
ENGINEERING

GLENBROOK SOUTH HIGH SCHOOL
CAD 261-AUTOCAD 3D MODELING

DESIGNED BY: First Last

PROJECT TITLE: Wireframe Construction Problems

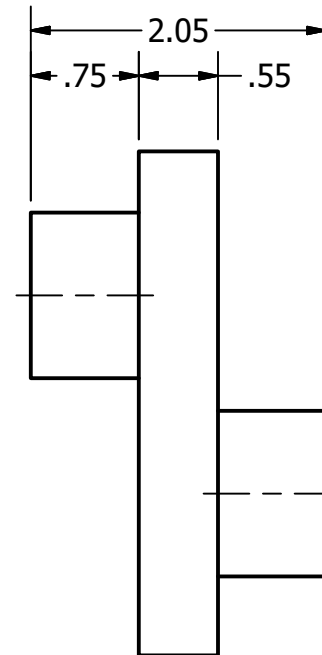
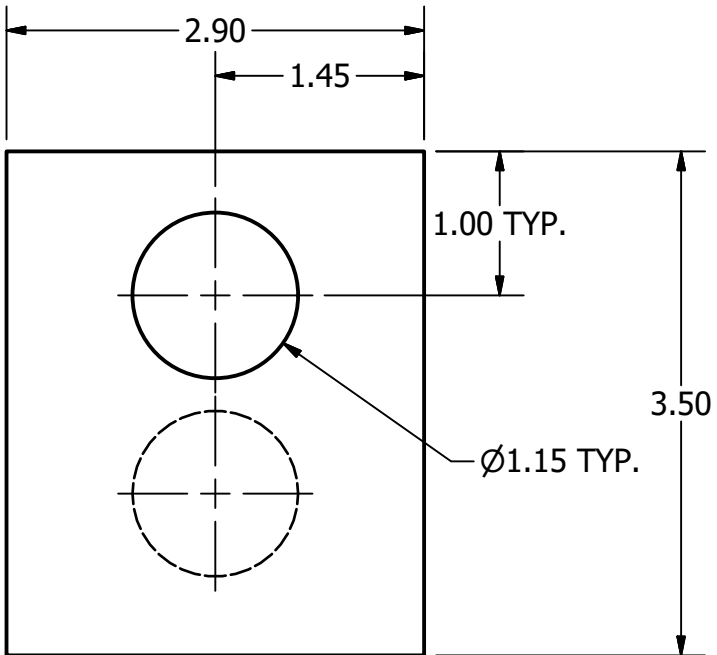
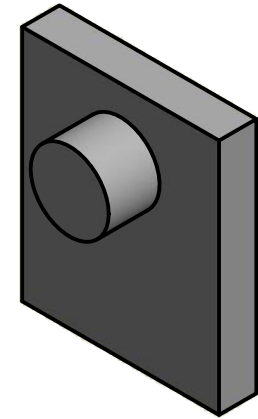
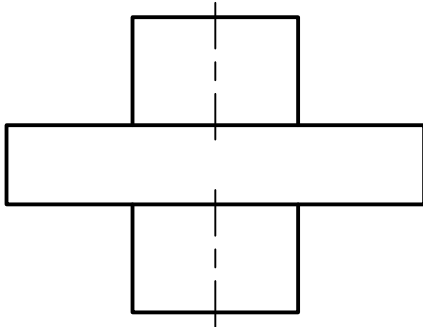
1/10/2017

SHEET #

6

FILE NAME: FL_DP_02-05.ipt

cduzan



TITAN
ENGINEERING

GLENBROOK SOUTH HIGH SCHOOL
CAD 261-AUTOCAD 3D MODELING

DESIGNED BY: First Last

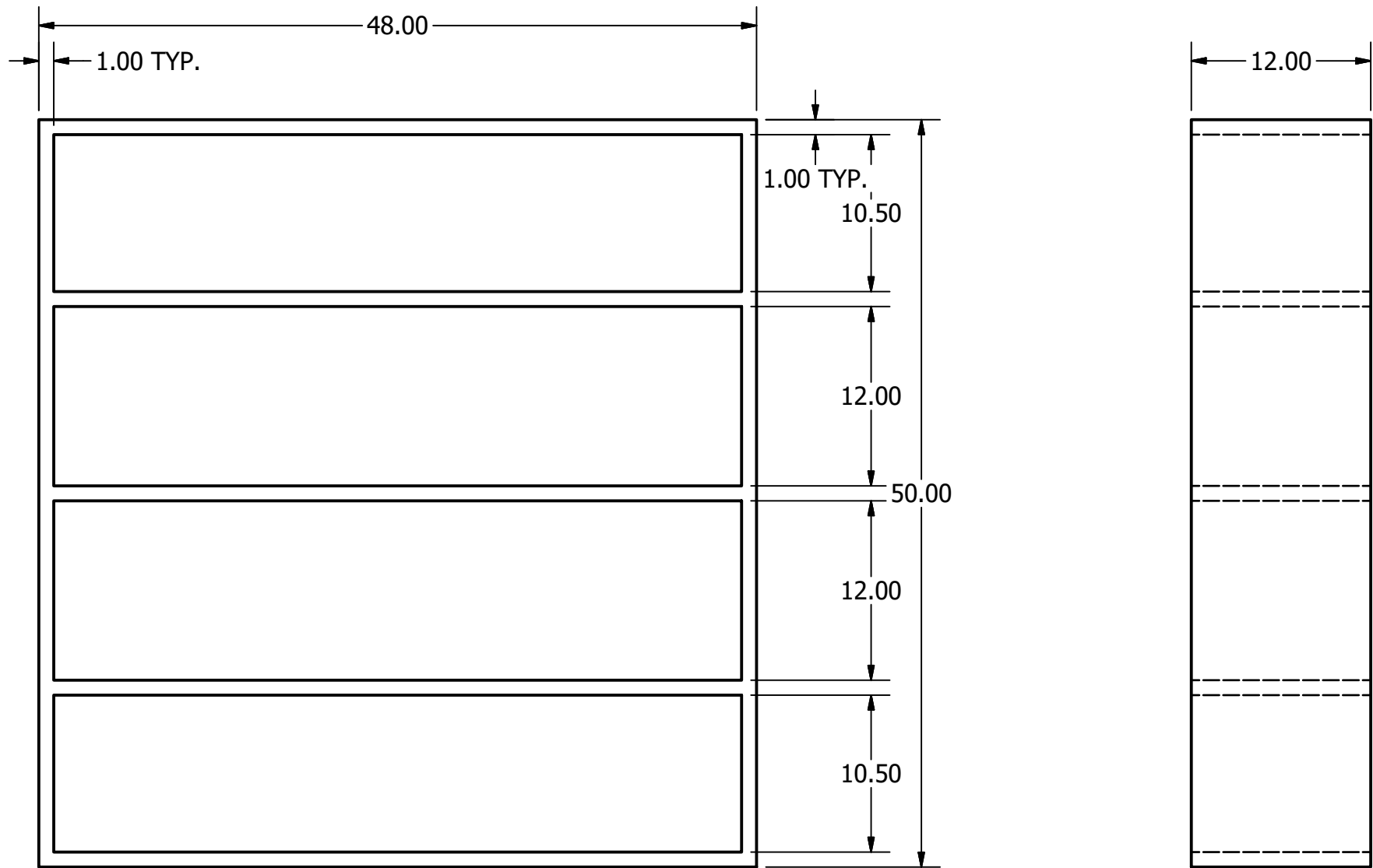
PROJECT TITLE: Wireframe Construction Problems

1/10/2017

SHEET # 7

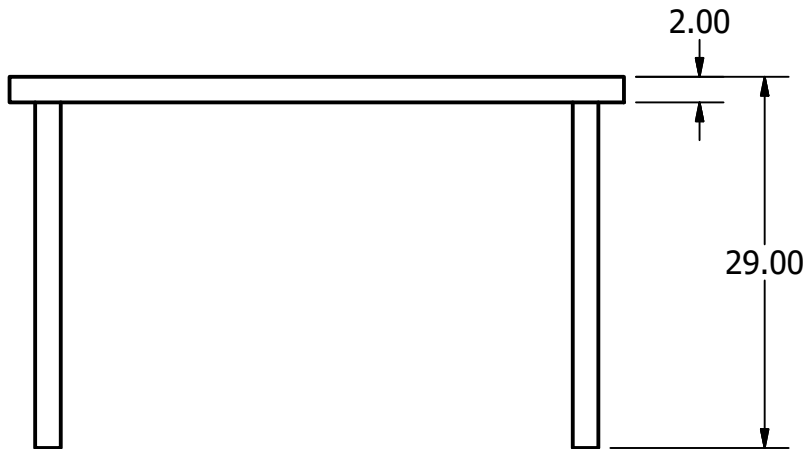
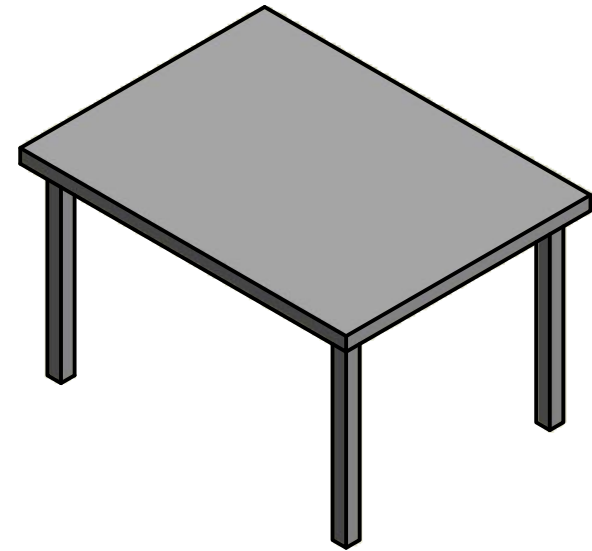
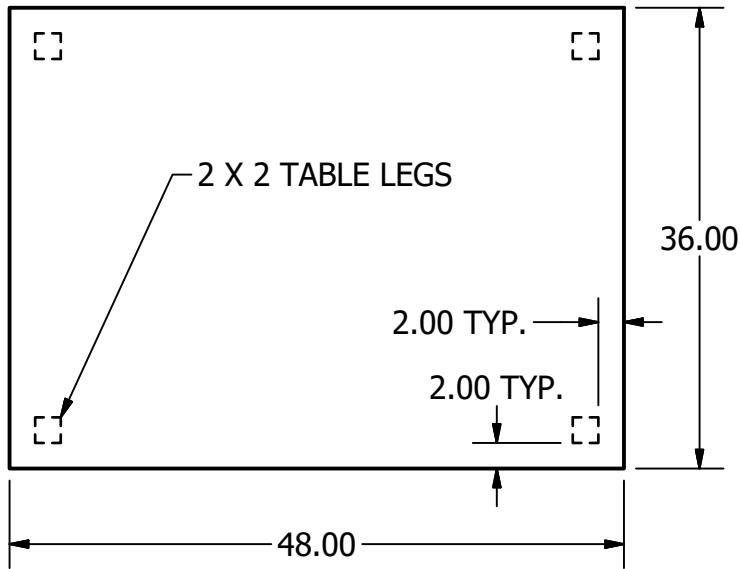
FILE NAME: FL_DP_02-06.ipt

cduzan



GLENBROOK SOUTH HIGH SCHOOL
CAD 261-AUTOCAD 3D MODELING

DESIGNED BY: First Last		PROJECT TITLE: Wireframe Construction Problems	
1/10/2017	SHEET # 8	FILE NAME: FL_DP_02-07.ipt	cduzan

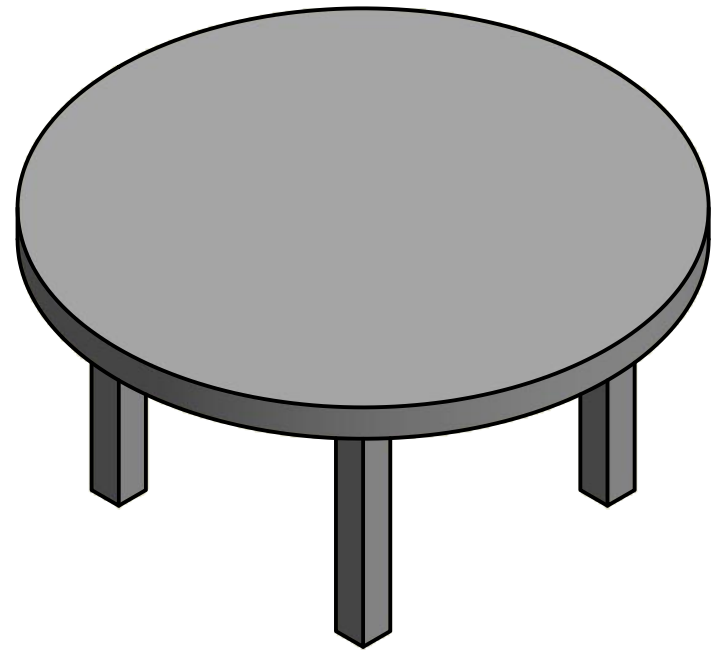
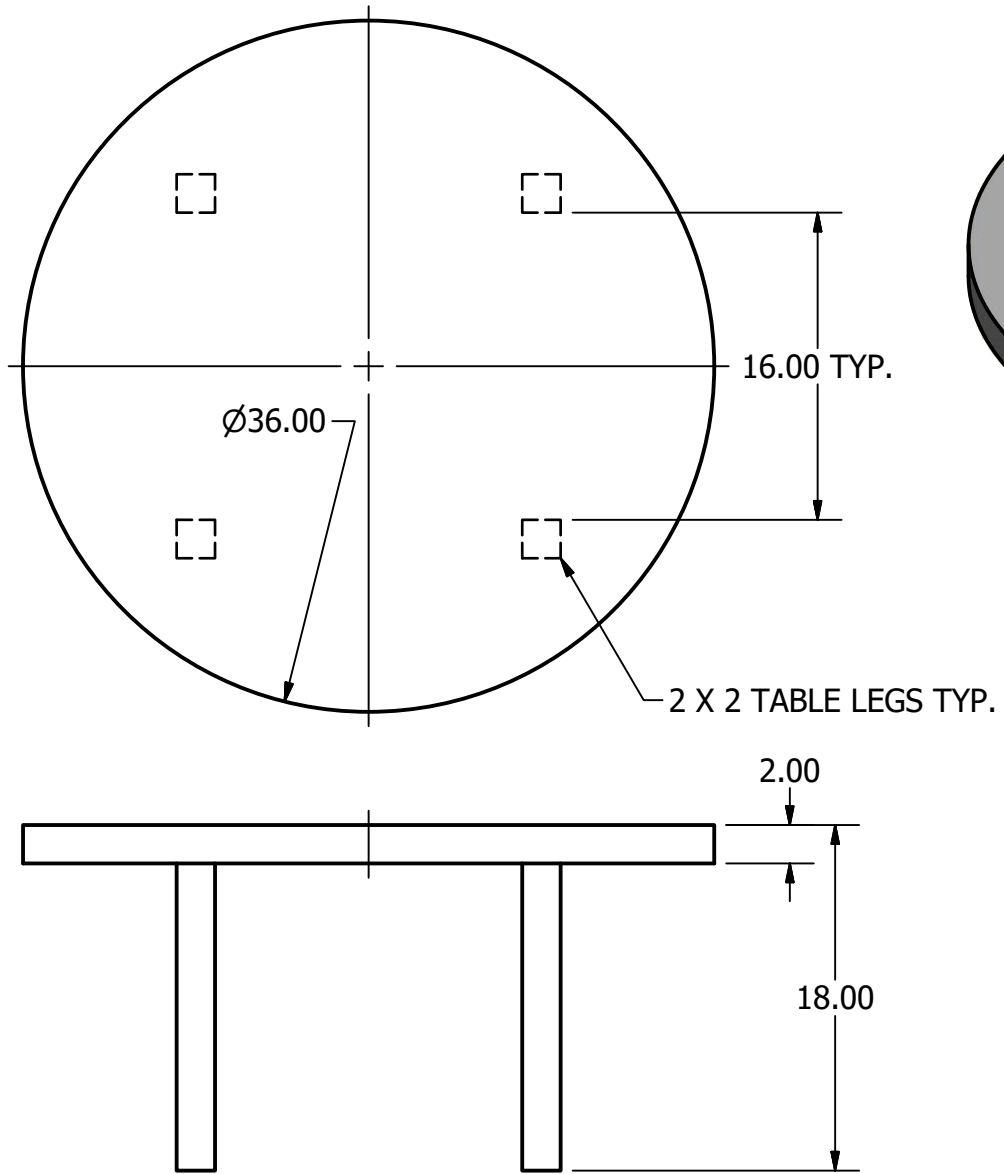


GLENBROOK SOUTH HIGH SCHOOL
CAD 261-AUTOCAD 3D MODELING



**TITAN
 ENGINEERING**

DESIGNED BY: First Last		PROJECT TITLE: Wireframe Construction Problems	
1/10/2017	SHEET # 9	FILE NAME: FL_DP_02-08.ipt	cduzan



GLENBROOK SOUTH HIGH SCHOOL
CAD 261-AUTOCAD 3D MODELING



**TITAN
 ENGINEERING**

DESIGNED BY: First Last

PROJECT TITLE: Wireframe Construction Problems

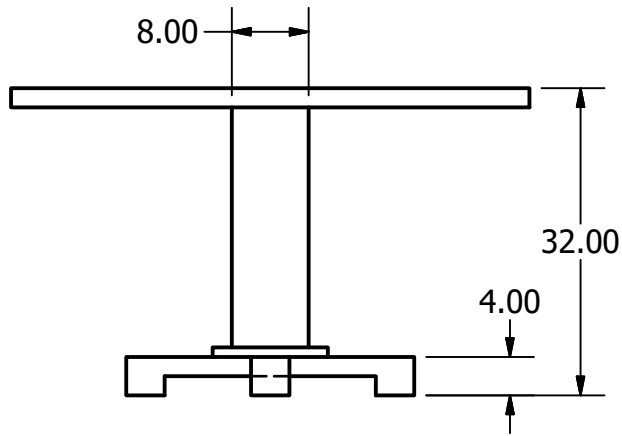
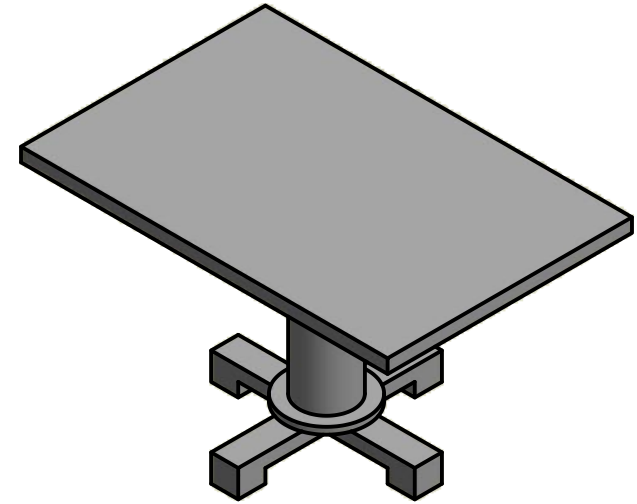
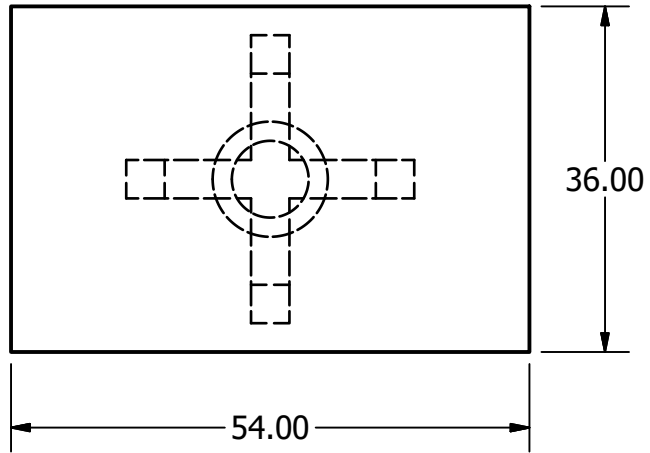
1/10/2017

SHEET #

10

FILE NAME: FL_DP_02-09.ipt

cduzan



TITAN
ENGINEERING

GLENBROOK SOUTH HIGH SCHOOL
CAD 261-AUTOCAD 3D MODELING

DESIGNED BY: First Last

PROJECT TITLE: Wireframe Construction Problems

1/10/2017

SHEET # 11

FILE NAME: FL_DP_02-10.ipt

cdusan