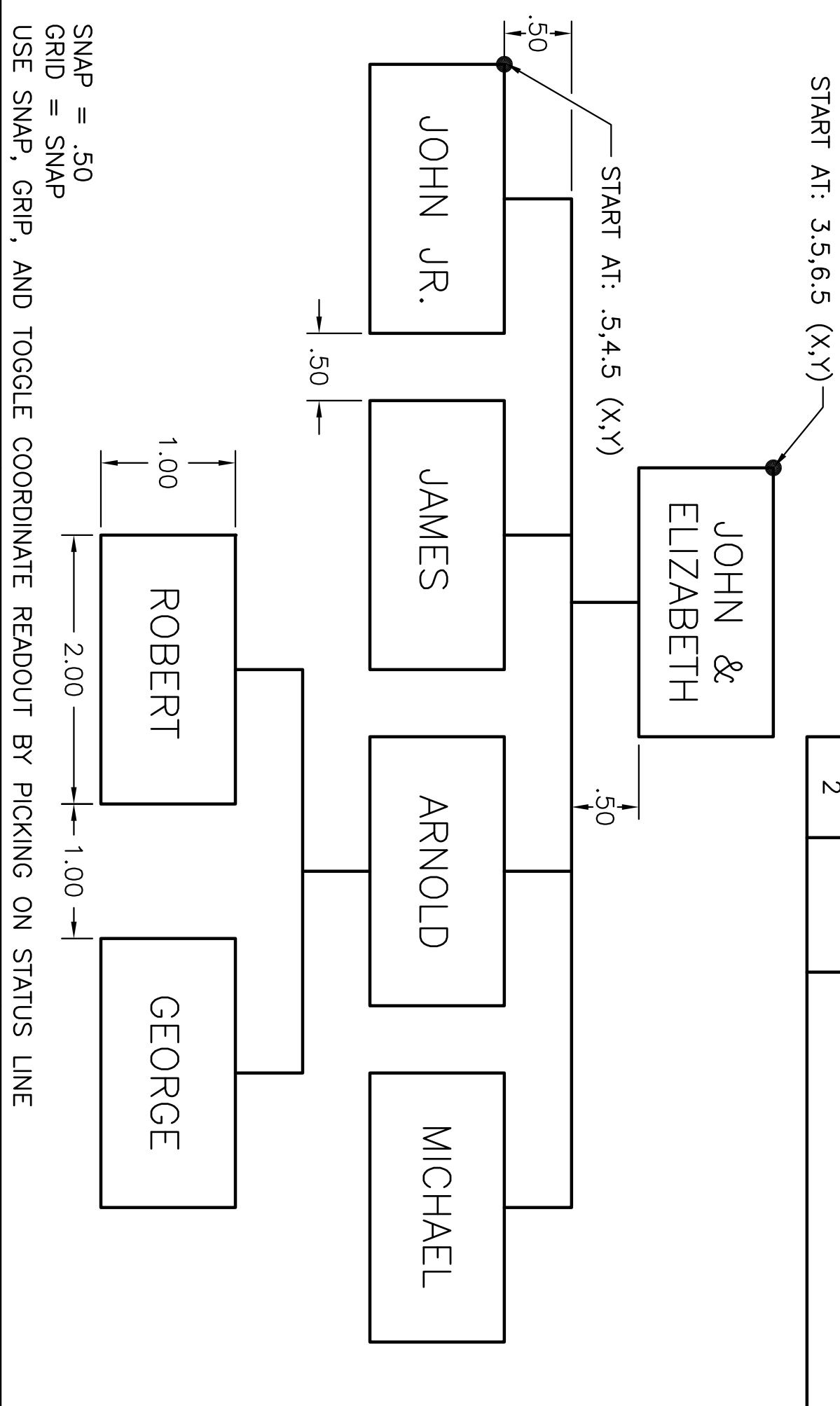


REV.	DATE:	DESCRIPTION
1		
2		



SNAP = .50
 GRID = SNAP
 USE SNAP, GRIP, AND TOGGLE COORDINATE READOUT BY PICKING ON STATUS LINE

GLENBROOK SOUTH HIGH SCHOOL TITLE: DRAWING PROBLEM FAMILY TREE FL_DP_FAMILY TREE.DWG

SCALE: 1:1 DATE: DRAWN BY: GRADE: REV. 0