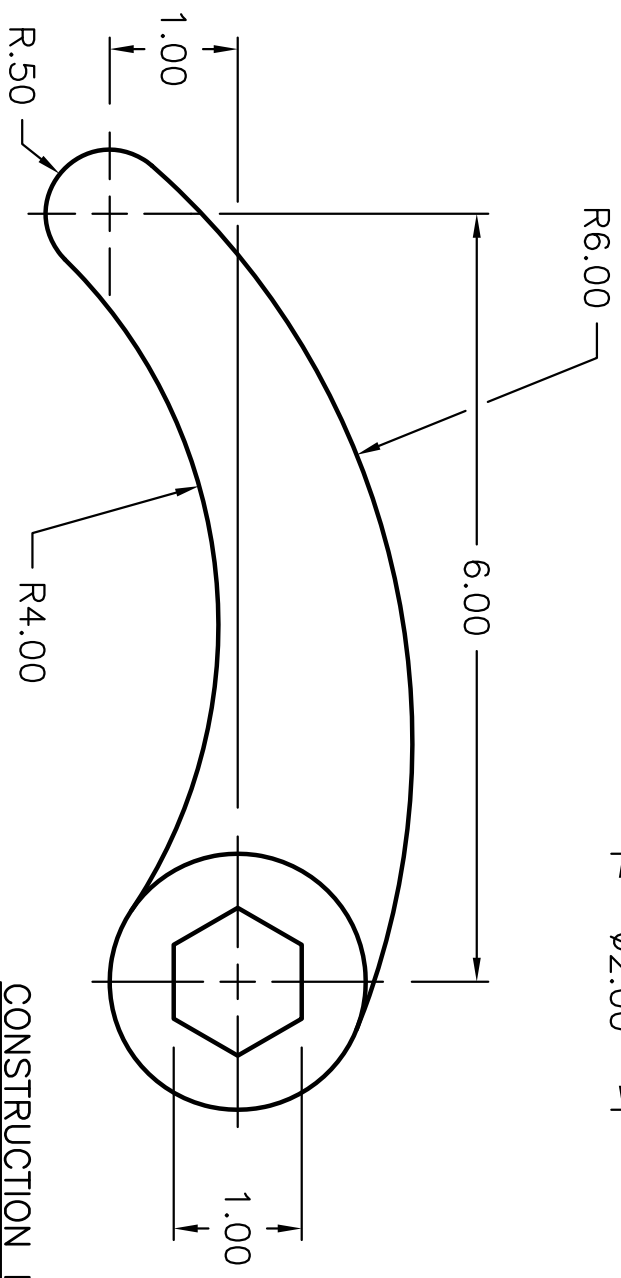
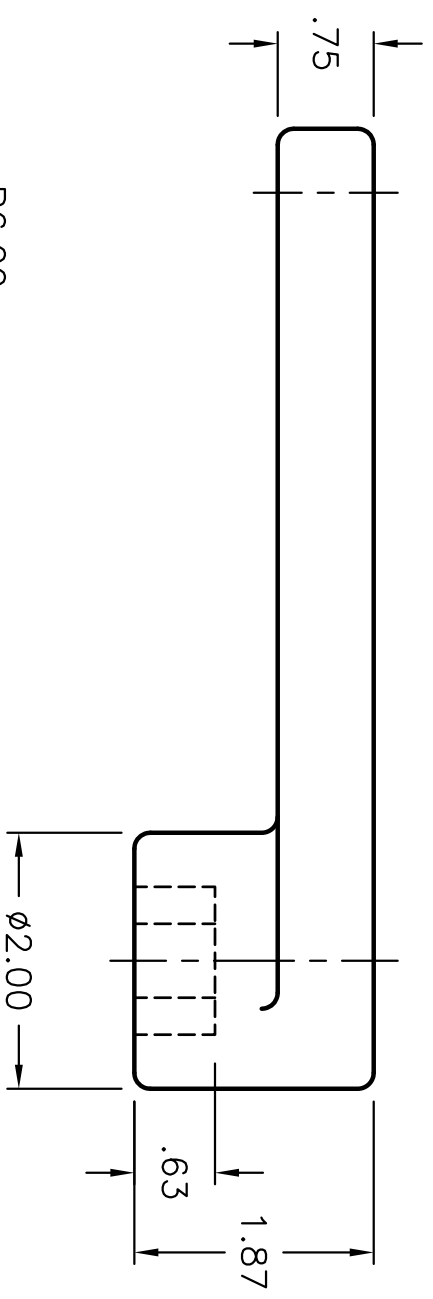


REV.	DATE:	DESCRIPTION
1		
2		



CONSTRUCTION NOTE:  
 FILLETS AND ROUNDS = .125

GLENBROOK SOUTH HIGH SCHOOL	TITLE: DRAWING PROBLEM-CLOSED HEX WRENCH	FL_DP_08-14.DWG
SCALE: 1:1.5	DATE:	DRAWN BY:
		GRADE:
		REV. 0